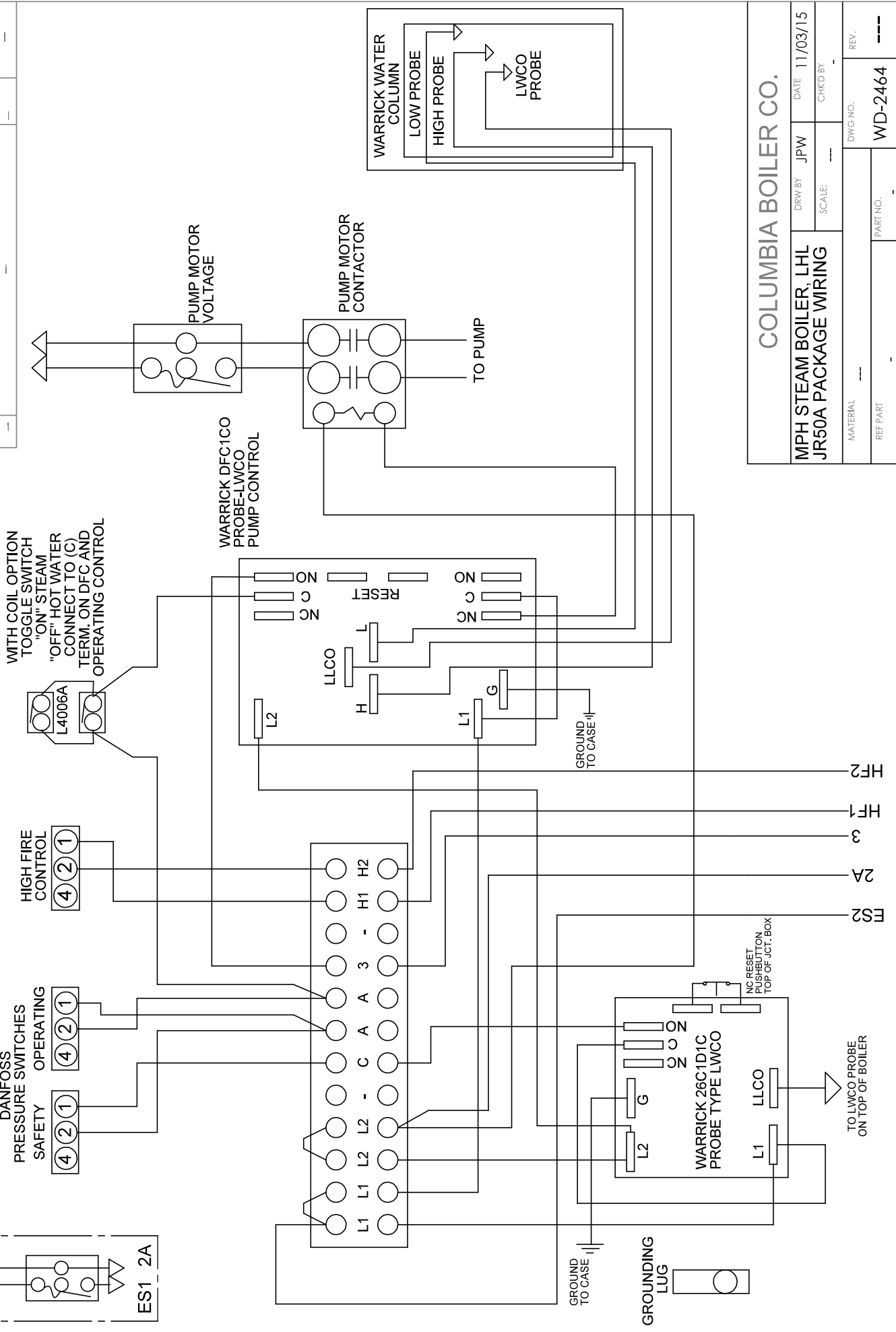


REVISIONS	
REV.	DESCRIPTION

REV.	DESCRIPTION	DATE	BY



COLUMBIA BOILER CO.	
MPH STEAM BOILER, LHL JR50A PACKAGE WIRING	DRAWN BY: JPW DATE: 11/03/15 SCALE: --- CHK'D BY: ---
MATERIAL: ---	DWG. NO.: ---
REF. PART: ---	REV.: ---
PART NO.: ---	WD-2464