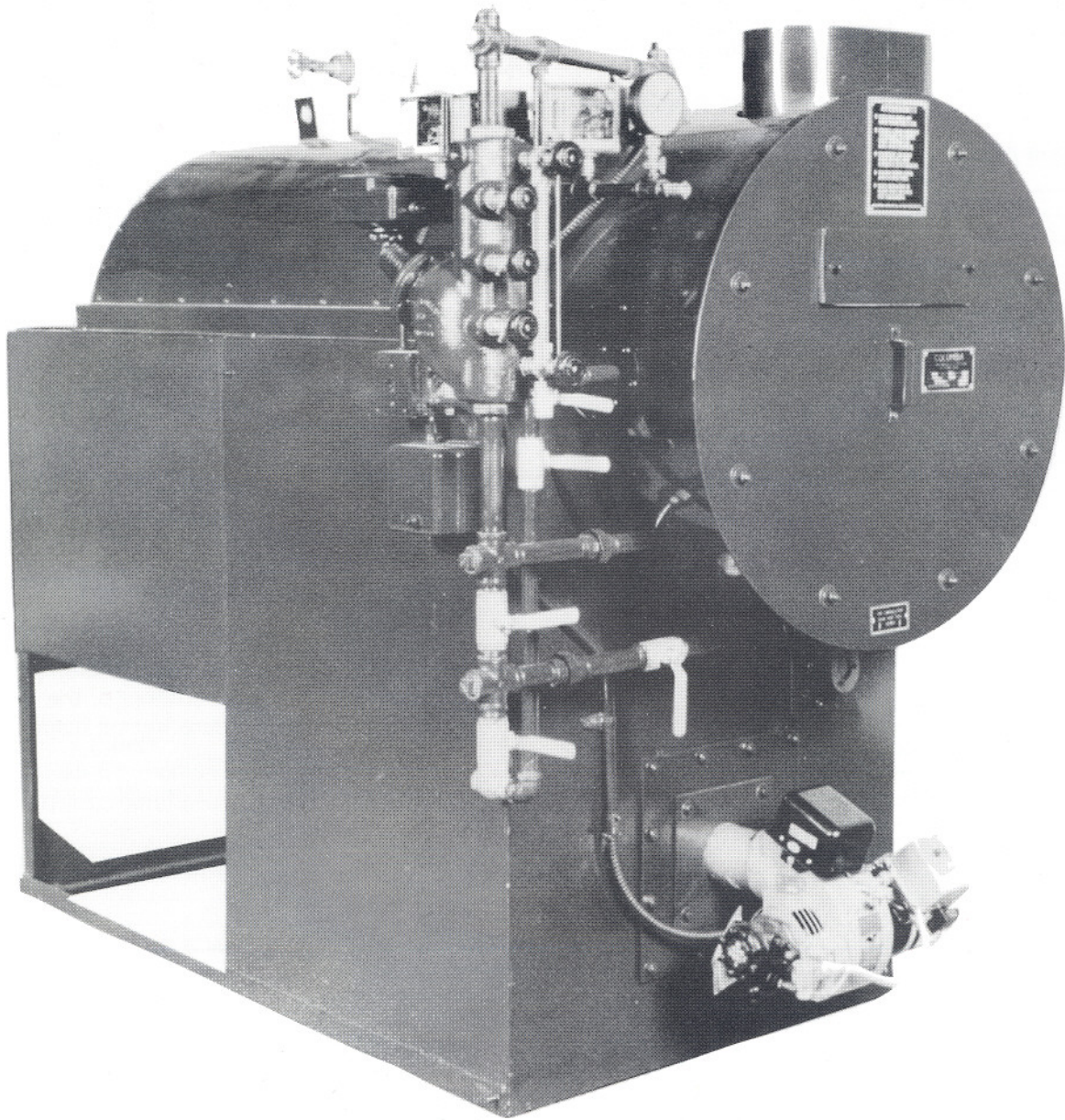


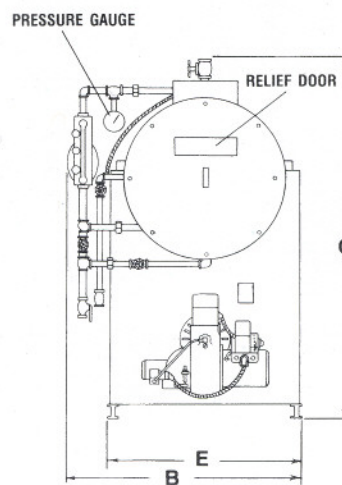
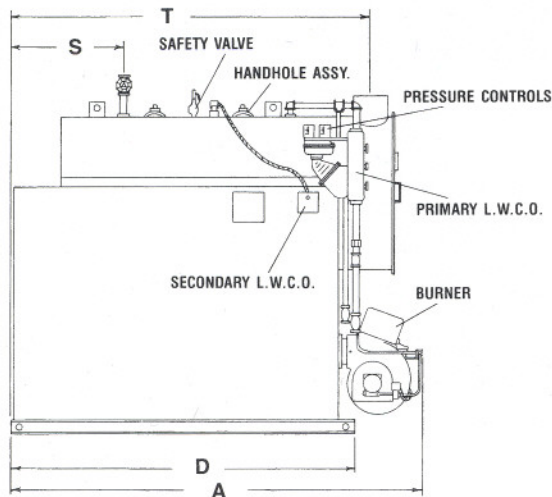
COLUMBIA®

HRT SERIES



**THE INDUSTRY LEADER IN
HIGH PRESSURE STEAM BOILERS**

SPECIFICATIONS & DATA



A.S.M.E. Construction

Horizontal Return Tubular Type

Working Pressures from 15 psi to 150 psi

COLUMBIA HRT BOILERS FOR GAS, LIGHT OIL OR DUAL FUEL

BOILER HP RATING		20	30	40	50	60	70	80	100	125
Oil Firing Rate	gals./hr.	6.00	9.00	12.00	15.00	18.00	21.00	24.00	30.00	37.50
Gas Input	MBTU/hr.	840	1260	1680	2100	2520	2940	3360	4200	5250
Boiler Output	MBTU/hr.	672	1008	1344	1680	2016	2352	2688	3360	4200
Steam/hr.	Lbs.	690	1035	1380	1725	2070	2415	2760	3450	4312
Heating Surface	sq. ft.	120	200	290	290	415	415	668	668	668
Normal Water Volume	gals.	68	115	145	145	185	185	326	326	326
Steam Volume	gals.	80	140	86	86	136	136	205	205	205
Total Heat Exchanger Volume	gals.	148	255	231	231	321	321	531	531	531
PACKAGE BOILER	Length‡	A in.	90	106	106	116	116	141	141	141
	Width	B in.	47	53	53	53	59	59	68	68
	Height	C in.	74	80	80	80	88	88	102	102
	Floor Space	in.	8x13	9x15	9x15	10x15	10x15	10x15	12x20	12x20
MINIMUM DIMENSION	Length	D in.	84	101	101	101	101	133	133	133
	Width	E in.	37	43	43	43	49	49	58	58
	Height	in.	67	71	71	71	82	82	98	98
BASE DIMENSION	Length	in.	69	83 ^{1/2}	83 ^{1/2}	83 ^{1/2}	81	81	126 ^{1/4}	126 ^{1/4}
	Width	in.	37	43	43	43	49	49	58	58
	Height	in.	52	53 ^{1/4}	53 ^{1/4}	53 ^{1/4}	61 ^{1/4}	61 ^{1/4}	74 ^{1/2}	74 ^{1/2}
HEAT EXCHANGER	Diameter	in.	30	36	36	36	42	42	48	48
	Length	in.	69 ^{3/4}	85 ^{3/4}	85 ^{3/4}	85 ^{3/4}	86 ^{1/2}	86 ^{1/2}	109 ^{1/2}	109 ^{1/2}
	No. and O.D. Tubes	in.	(55) 1 ^{1/2}	(82) 1 ^{1/2}	(125) 1 ^{1/2}	(125) 1 ^{1/2}	(178) 1 ^{1/2}	(178) 1 ^{1/2}	(146) 2	(146) 2
	Length of Tubes	in.	57 ^{1/2}	70 ^{3/4}	70 ^{3/4}	70 ^{3/4}	71 ^{3/8}	71 ^{3/8}	93 ^{1/2}	93 ^{1/2}
COMBUSTION CHAMBER	Volume	cu. ft.	9.3	19.6	24.2	24.2	43.3	43.3	72.9	72.9
	Normal Water Line to Floor	in.	56	57	63	63	71	71	86	86
	Center Line of Burner to Floor	in.	17	16 ^{1/2}	16 ^{1/2}	16 ^{1/2}	20 ^{1/4}	20 ^{1/4}	23	23
	Stack Diameter, inches		12	14	14	14	16	16	18	18
	Height from floor	in.	72	76	76	76	87	87	104	104
	T in.		78 ^{3/4}	93	93	93	94	94	119	119
	Steam Outlet Size	in.	1	1 ^{1/4}	2	2	2 ^{1/2}	2 ^{1/2}	3	3
	Height from floor	C in.	76	82	82	82	92	92	112	112
	in.		26	26	26	26	27	27	32	32
	Feed Water Inlet Size	in.	3/4	3/4	3/4	3/4	3/4	3/4	1	1
	Blow Down Size	in.	1	1 ^{1/4}	1 ^{1/4}	1 ^{1/4}	1 ^{1/4}	1 ^{1/4}	1 ^{1/4}	1 ^{1/4}
	Hand Hole Top Shell	in.	3x3 ^{3/4}	(2)3x3 ^{3/4}	(2)3x3 ^{3/4}	(2)3x3 ^{3/4}	(2)3x3 ^{3/4}	(2)3x3 ^{3/4}	(2)3x3 ^{3/4}	(2)3x3 ^{3/4}
	Hand Hole Front Head	in.	2 ^{3/4} x3 ^{1/2}	2 ^{3/4} x3 ^{1/2}	2 ^{3/4} x3 ^{1/2}	2 ^{3/4} x3 ^{1/2}	2 ^{3/4} x3 ^{1/2}	2 ^{3/4} x3 ^{1/2}	2 ^{3/4} x3 ^{1/2}	2 ^{3/4} x3 ^{1/2}
	Manhole Front Head	in.					12x16	12x16	12x16	12x16
	Approx. Shipping Wt.	lbs.	3900	5300	5900	5900	7400	7400	14000	14000

‡ Dimension is approximate based on Standard Oil Burner.

America's most trusted name in commercial and residential boilers

COLUMBIA® BOILER COMPANY

P.O. Box 1070, Pottstown, Penna. 19464 • Phone (610) 323-2700 • FAX (610) 323-7292