

COLUMBIA

CRT AND VRT SYSTEMS

BOILER FEED SYSTEMS



The Columbia CRT and VRT feed tanks feature heavy gauge steel construction that provides ample feedwater storage capacity; a float operated make-up valve that automatically admits new water to replace that lost through steam not returned to tank; a strainer to prevent foreign material from entering make-up valve; a high suction pipe to prevent sediment from entering pump, increasing life of pump impeller and raceway; provisions for thermometer and sparge tubes; water level gauge; and a turbine pump driven by heavy duty drip proof motor operated by boiler waterlevel control that feeds boiler automatically.

Since 1936



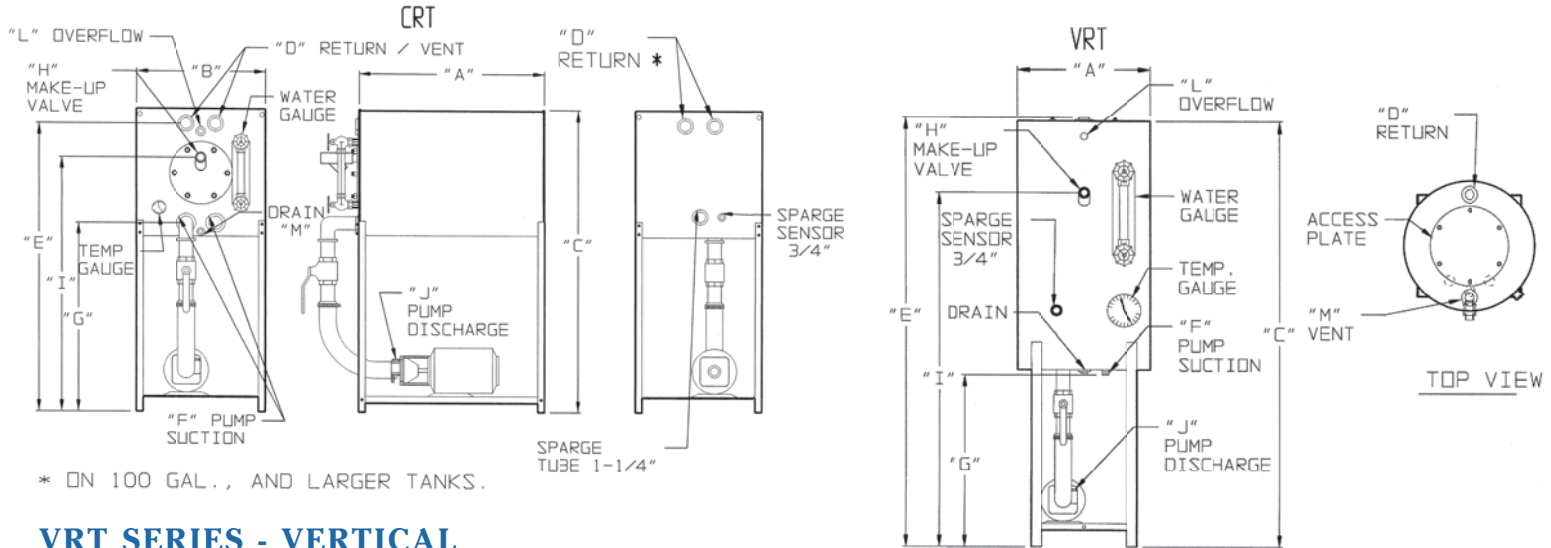
You can do BETTER with Columbia
GOOD people. BETTER Boilers. BEST value.



SPECIFICATIONS AND DATA

CRT SERIES - HORIZONTAL

HIGH PRESSURE - 150 PSI DISCHARGE																
MODEL	BOILER HP	TANK GAL.	PUMP DATA (3450 RPM, 60HZ)	A	B	C	D	E	F	G	H	I	J	L	M	SHIP WEIGHT
CRT-1	1-10	22	1/2 HP 115-230/1	30	15½	37	(2) 1¼	34¾	(2) 1¼	24	½	30¾	1	¾	¾	210
CRT-2	15-20	22	3/4 HP 115-230/1	30	15½	37	(2) 1¼	34¾	(2) 1¼	24	½	30¾	1	¾	¾	212
CRT-3	25-30	50	3/4 HP 115-230/1	36½	20½	42¼	(2) 1¼	39½	(2) 1¼	24¼	½	33½	1	¾	¾	285
CRT-4	35-40	50	1½ HP 230-460/3	36½	20½	42¼	(2) 1¼	39½	(2) 1¼	24¼	½	33½	1	¾	¾	308
CRT-5	50-60	50	2 HP 230-460/3	36½	20½	42¼	(2) 1¼	39½	(2) 1¼	24¼	½	33½	1	¾	¾	313
CRT-6	70-100	100	5 HP 230-460/3	48	24½	46¼	(2) 1¼	43	(2) 1½	24¾	¾	35½	1	1	¾	390
CRT-10	125	150	5 HP 230-460/3	56	28½	50¼	(4) 2	47	(2) 1½	24¾	¾	37½	2	1	¾	775
CRT-11	150	150	5 HP 230-460/3	56	28½	50¼	(4) 2	47	(2) 1½	24¾	¾	37½	2	1	¾	810
CRT-12	175	200	5 HP 230-460/3	57½	33	54¾	(4) 2	50¾	(2) 1½	25¼	¾	39½	2	1	¾	910
CRT-13	200	200	7 HP 230-460/3	57½	33	54¾	(4) 2	50¾	(2) 1½	25¼	¾	39½	2	1	¾	1015
LOW PRESSURE - 15 PSI DISCHARGE																
CRT-7	1-15	22	1/3 HP 115-230/1	30	15½	37	(2) 1¼	34¾	(2) 1¼	24	½	30¾	¾	¾	¾	210
CRT-8	20-60	50	1/2 HP 115-230/1	36½	20½	42¼	(2) 1¼	39½	(2) 1¼	24¼	½	33½	1¼	¾	¾	285
CRT-9	70-100	100	1/2 HP 115-230/1	48	24½	46¼	(4) 1¼	43	(2) 1½	24¾	¾	35½	1¼	1	¾	425
CRT-9-150	100-150	150	1/2 HP 115-230/1	56	28½	50¼	(4) 2	47	(2) 1½	24¾	¾	37½	2	1	¾	575



VRT SERIES - VERTICAL

HIGH PRESSURE - 150 PSI DISCHARGE																
MODEL	BOILER HP	TANK GAL.	PUMP DATA (3450 RPM, 60HZ)	A	B	C	D	E	F	G	H	I	J	L	M	SHIPPING WEIGHT
VRT-1	1-10	30	1/2 HP 115-230/1	20	N/A	50	1¼	50½	(2) 1¼	25	½	43¼	1	¾	1¼	190
VRT-2	15-20	30	3/4 HP 115-230/1	20	N/A	50	1¼	50½	(2) 1¼	25	½	43¼	1	¾	1¼	190
VRT-3	25-30	45	3/4 HP 115-230/1	20	N/A	62	1¼	62½	(2) 1¼	25	½	51¾	1	¾	1¼	225
VRT-4	35/40	45	1½ HP 230-460/3	20	N/A	62	1¼	62½	(2) 1¼	25	½	51¾	1	¾	1¼	250
LOW PRESSURE - 15 PSI DISCHARGE																
VRT-6	1-15	20	1/3 HP 115-230/1	20	N/A	43	1¼	43½	(2) 1¼	29	½	37¾	¾	¾	1¼	165
VRT-7	15-25	30	1/3 HP 115-230/1	20	N/A	50	1¼	50½	(2) 1¼	25	½	43¾	¾	¾	1¼	195
VRT-8	25-60	45	1/2 HP 115-230/1	20	N/A	62	1¼	62½	(2) 1¼	25	½	51¾	1¼	¾	1¼	225



Manufactured in USA by
COLUMBIA BOILER COMPANY
 P.O. Box 1070, Pottstown, PA 19464
 (610) 323-2700 FAX (610) 323-7292