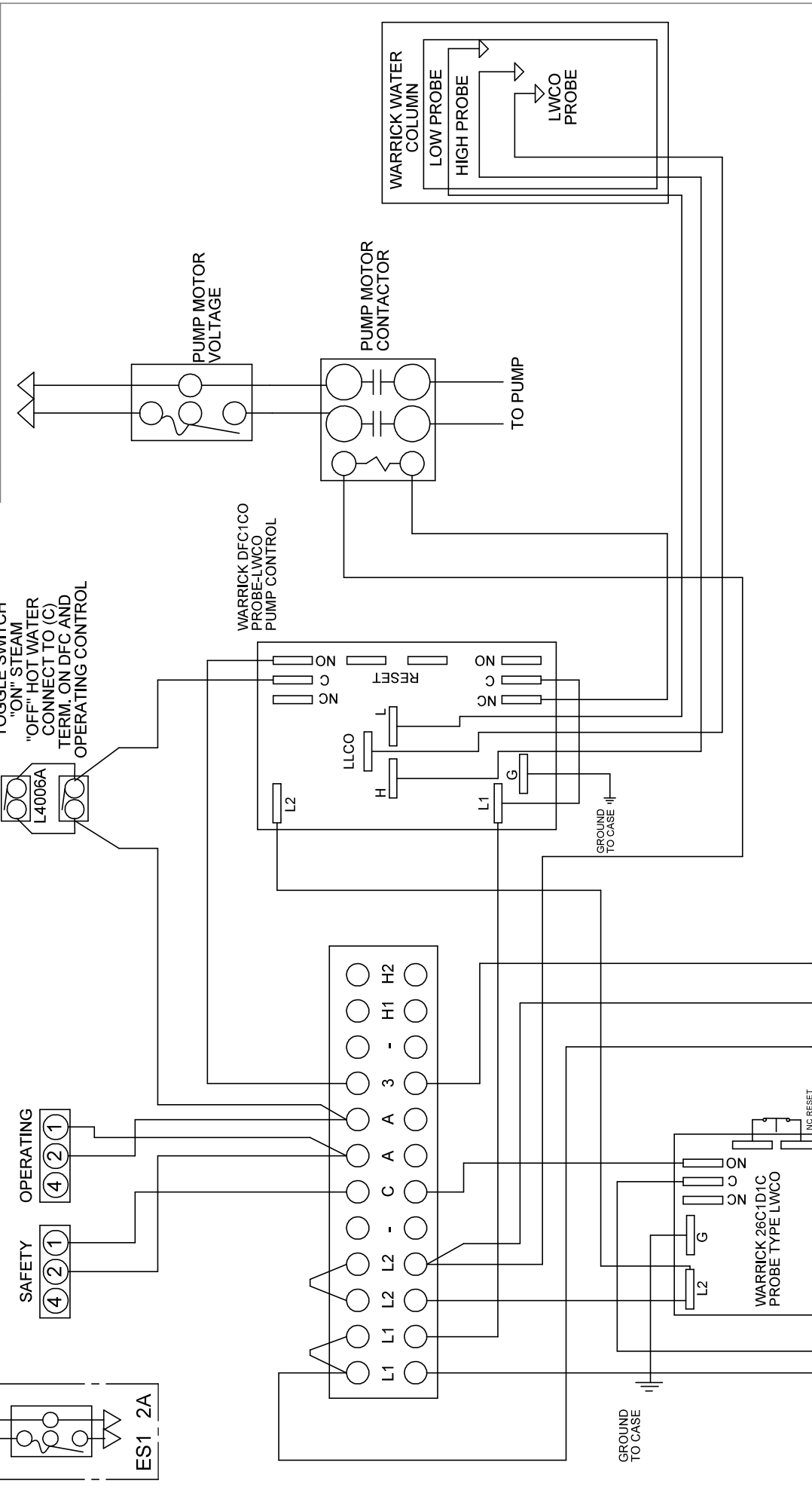


REVISIONS		
REV.	DESCRIPTION	DATE



<b>COLUMBIA BOILER CO.</b>		DRAWN BY	JPW	DATE	10/28/15
		SCALE	---	CHKD BY	---
<b>MPH STEAM BOILER JR15A PACKAGE WIRING</b>		MATERIAL	---	DWG NO.	WD-2491
REV.		---	PART NO.	---	REV.
REF PART		---	---	---	<b>B</b>