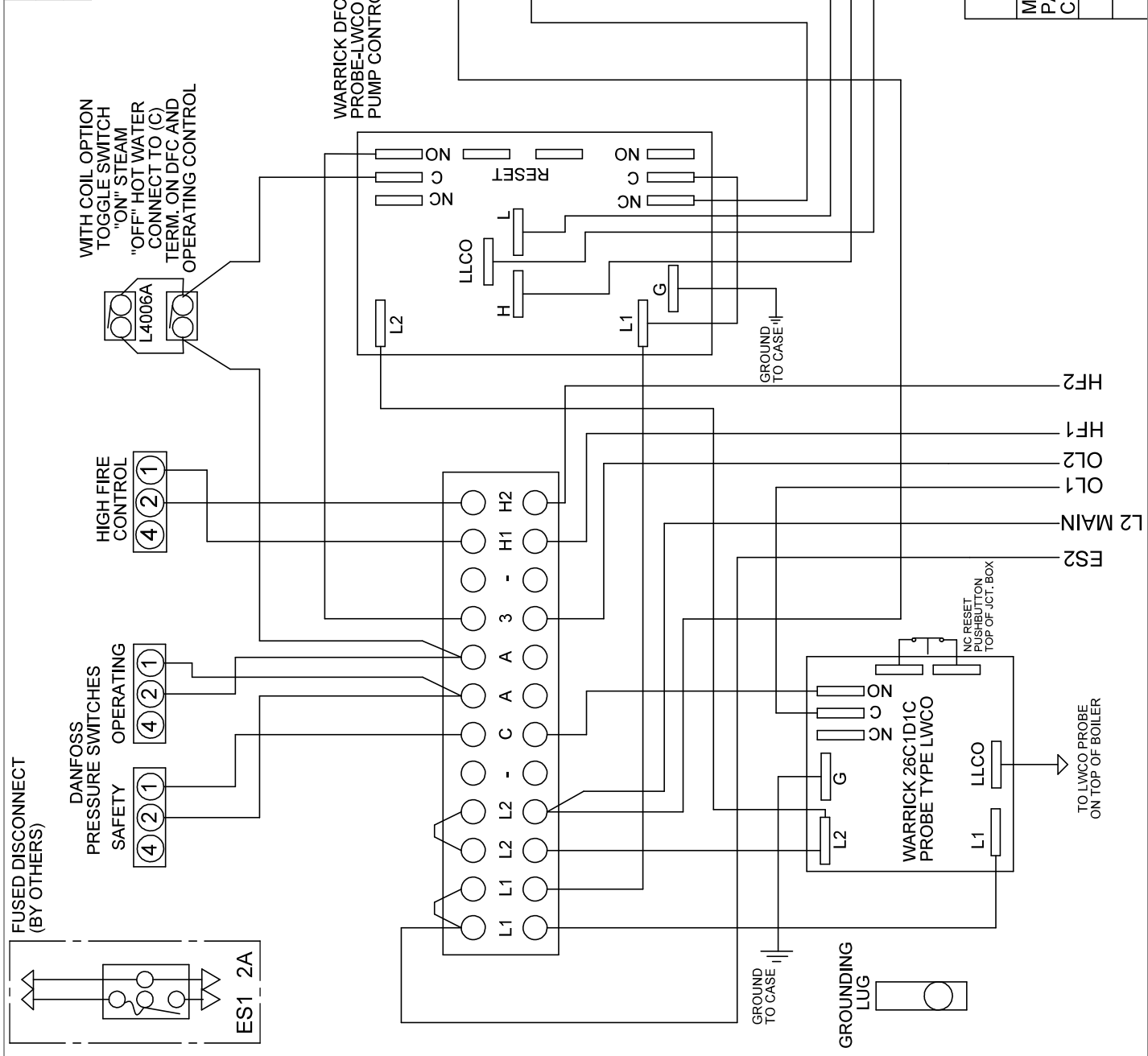


REV. DESCRIPTION		DATE	BY



WITH COIL OPTION
TOGGLE SWITCH
"ON" STEAM
"OFF" HOT WATER
CONNECT TO (C)
TERM. ON DFC AND
OPERATING CONTROL

HIGH FIRE
CONTROL

DANFOSS
PRESSURE SWITCHES
SAFETY OPERATING

FUSED DISCONNECT
(BY OTHERS)

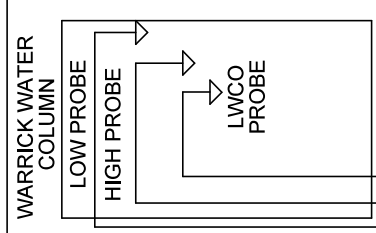
ES1 2A

WARRICK DFC1CO
PROBE-LWCO
PUMP CONTROL

PUMP MOTOR
VOLTAGE

PUMP MOTOR
CONTACTOR

TO PUMP



GROUND
TO CASE

GROUNDING
LUG

WARRICK 26C1D1C
PROBE TYPE LWCO

HF2
HF1
OL2
OL1
L2 MAIN
ES2

TO LWCO PROBE
ON TOP OF BOILER

COLUMBIA BOILER CO.

MPH STEAM BOILER, LHL PACKAGE WIRING C BURNER	DRAWN BY	JPW	DATE	11/03/15
	SCALE	---	CHK'D BY	---
MATERIAL	---	DWG NO.	WD-2474	
REF PART	---	PART NO.	---	
REV.	---	REV.	A	